

# TECHNO RACER

• LED RC MUSIC CAR •

FORCE1

## INSTRUCTION MANUAL

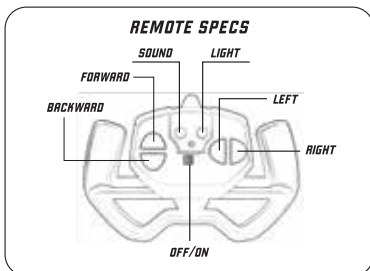
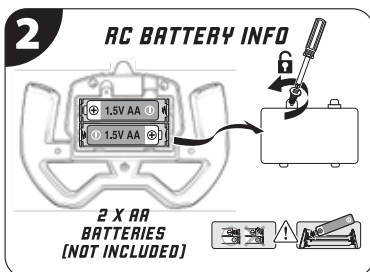
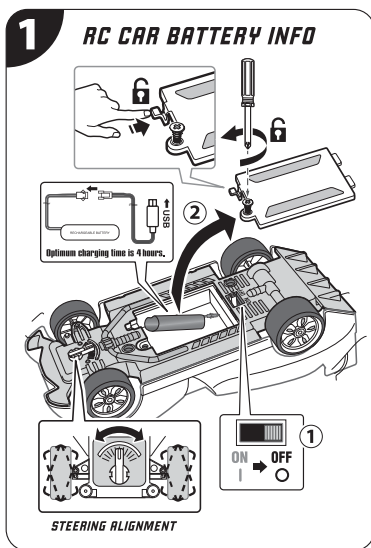
### BATTERY INSTALLATION INSTRUCTIONS

1. Make sure that both the remote controller and the RC car are turned OFF.
2. Unscrew the battery cover and install the battery with correct polarity as shown in the diagrams below.
4. Replace battery cover and tighten the screw.

#### ⚠ CAUTION:

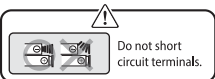
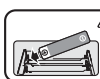
#### BATTERY-OPERATED PRODUCT

Recommended for kids ages 6+. Please exercise caution when charging the product. Adult supervision is advised.



### BATTERY SAFETY INFORMATION

1. Do not short circuit terminals.
2. Do not recharge non-rechargeable batteries.
3. Do not recharge rechargeable batteries without adult supervision.
4. Remove all batteries when the toy is not in use.
5. Dispose old and used batteries properly. Do not put batteries in fire as they may explode.
6. Regularly check the USB charging cable for damages. If any damage is found, discontinue use until completely repaired.
7. Remove exhausted batteries from the toy.
8. Remove battery from the toy before charging.
9. Do not submerge the toy under water.
10. Do not overcharge batteries. Charging time is 4 hours.



### OPERATING INSTRUCTIONS

1. Switch ON both the remote controller and the RC car.
2. If the car is not running in a straight line, adjust the steering alignment lever located on the bottom of the car. (See diagram above)

### CHARGING INSTRUCTIONS

1. When your RC car starts to slow down, charge it using the included USB charging cable, or change the remote control batteries. (See diagram above)
2. Plug the battery cable into the USB charging cable. Connect the USB plug into a USB charging port (computer, phone charger, power bank, car charger).
3. The charging light indicator will remain on while charging, then turn off when charging is complete. Stop charging when the light turns off.

If your product does not perform properly, please contact us at [support@force1rc.com](mailto:support@force1rc.com) for fast service.



To ensure that play is both safe and fun, please review these operating instructions:

Failure to follow all safety instructions may result in injury or property damage none of which Force1 will be held liable for as proper warnings are outlined in the manual.

- Upon use of this product the end user assumes all responsibility and Force1 cannot be held liable for any personal injury and/or property damage.
- This item contains fast moving parts, motors and/or other wiring. When using it, basic precautions should always be followed including but not limited to the following:
  - Keep your eye on the product at all times
  - Tie back hair or wear a hat to avoid entanglement or injury
  - Keep hands, hair and loose clothing away from moving parts when the power switch is turned ON.
  - Please ensure the product is turned off when not in use.

<b>WARNING</b> 	CHANGES OR MODIFICATIONS TO THIS UNIT NOT EXPRESSLY APPROVED BY THE SELLER WILL VOID THE USER'S AUTHORITY TO OPERATE THE EQUIPMENT.
---	---